

CRIB ASSEMBLY & OPERATION MANUAL

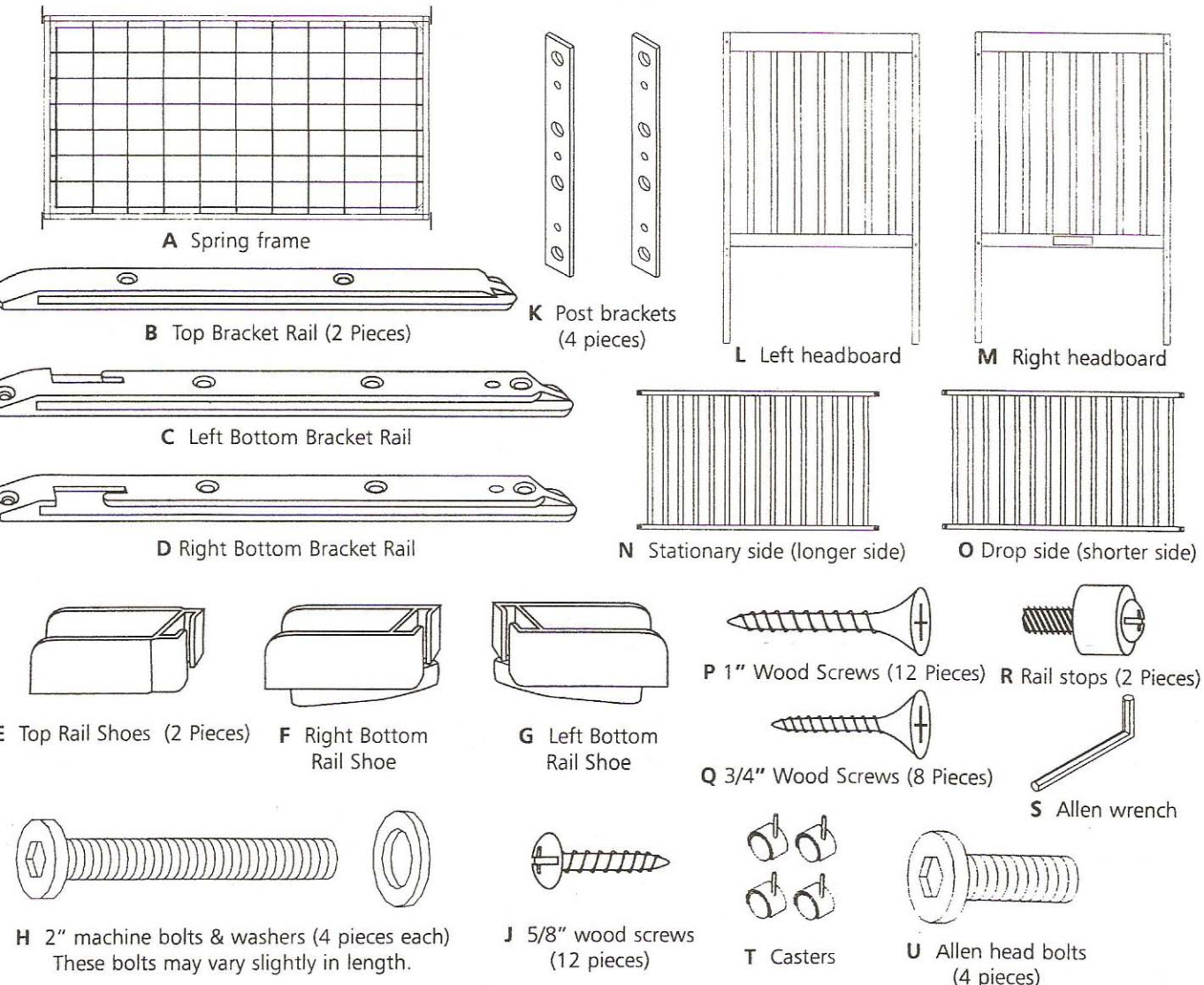
ALL RIGHTS RESERVED © 2003

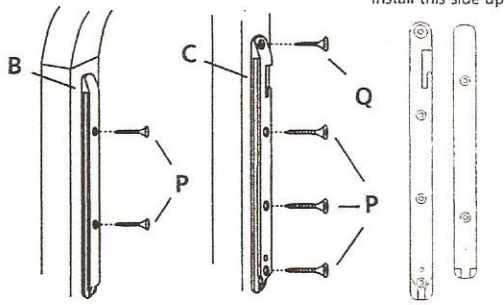
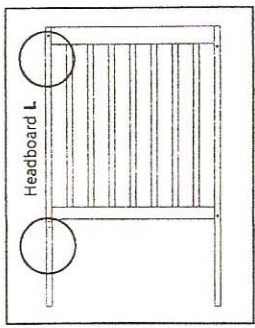
Congratulations on purchasing a Million Dollar Baby product. This crib will provide many years of service if you adhere to the following guidelines for assembly, maintenance and operation. This crib is for residential use only. Any institutional use is strictly prohibited.

Please be sure to follow the instructions for proper assembly. Use a Phillips screwdriver for assembling the crib in addition to the allen wrench included in the hardware box. Do not use power screw drivers. All of our cribs are made from natural hardwoods. Please understand that natural woods have color variations which are the result of nature and are not defects in workmanship.

Do not substitute parts. All models have the same quantity of parts and hardware. Your model may look different from the one illustrated due to stylistic variations.

Unpack and separate all parts and different size screws. All screw holes have been pre-drilled or have metal inserts. Be sure to tighten all screws firmly. Ask your dealer or call us for replacement of missing parts if needed. Installation of the crib is easier with two people.

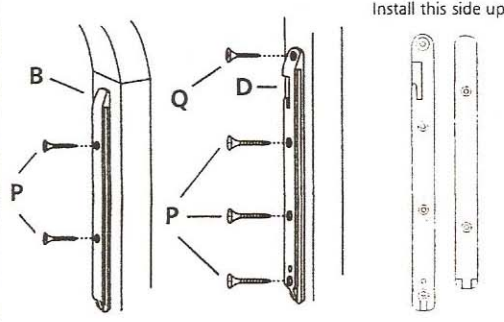
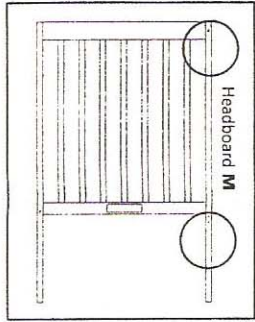




Install this side up

1 Use 2 screws **P** to fasten top bracket rail **B** to the top left side areas of headboard **L** as shown to the left. Headboard **L** has the pre-drilled holes to the left side of it.

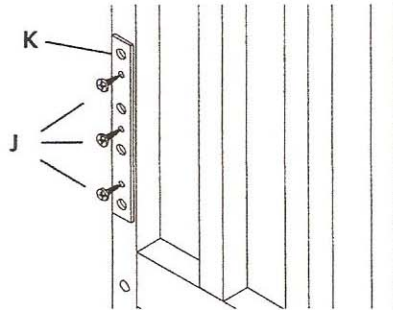
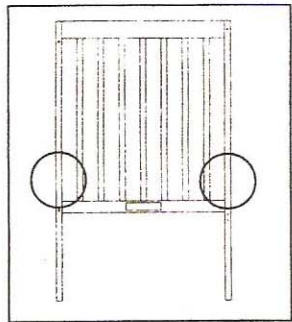
Attach left bottom bracket rail **C** to the bottom left side area of headboard **L**. Use 1 screw **Q** for the top-most hole and use 3 screws **P** for the bottom three holes. Make sure you line up the bottom hole of bracket **C** with the bottom-most pre-drilled hole on the headboard.



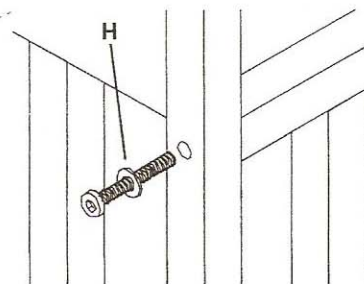
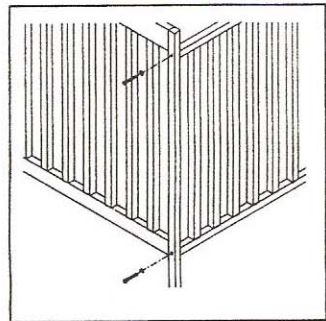
Install this side up

2 Use 2 screws **P** to fasten top bracket rail **B** to the top right side areas of headboard **M** as shown to the left. Headboard **M** has the pre-drilled holes to the right side of it.

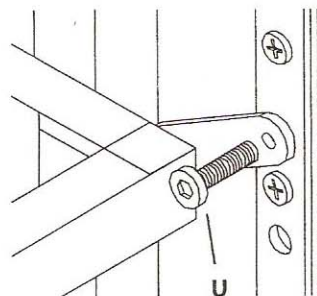
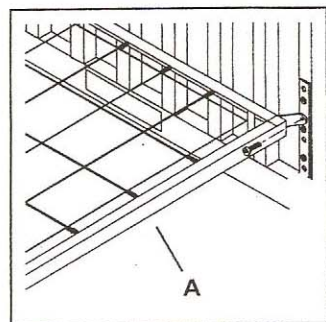
Attach right bottom bracket rail **D** to the bottom drop side area of headboard **M**. Use 1 screw **Q** for the top-most hole and use 3 screws **P** for the bottom three holes. Make sure you line up the bottom hole of bracket **D** with the bottom-most pre-drilled hole on the headboard.



3 Attach the 2 post brackets **K** to the each mid-section of headboards **L** & **M**. Use three 5/8" wood screws **J** for each headboard.



4 Attach the stationary side **N** (the longer one of the crib sides) to one of the headboards, using two 2" machine bolts/washers **H** and the allen wrench **S**. Attach the other headboard to the stationary side in the same manner.



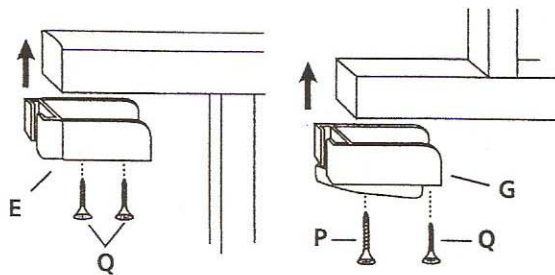
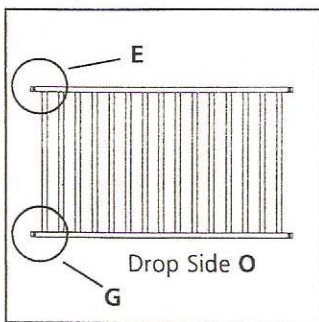
5 Swing out four hangers at corner of the spring frame **A** carefully. Attach spring frame **FLAT SIDE UP**. Choose the height of the spring frame. Start at the highest level and adjust accordingly.

Bolt the spring frame **A** to the brackets using allen head bolts **U** and allen wrench **F**. As the child grows, it is important to lower the spring.

Make sure the spring frame is level.

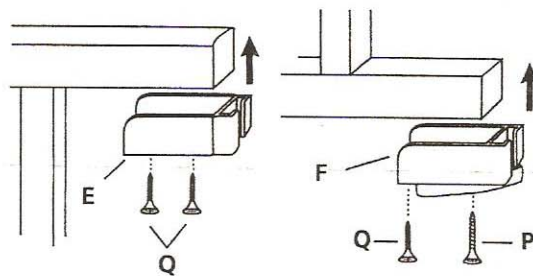
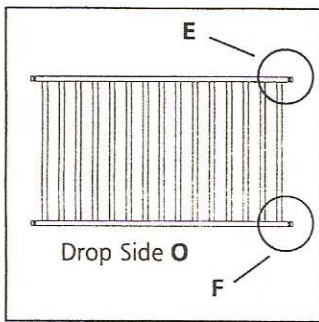
- 6** Attach top rail shoe **E** to the top left edge of the drop side by fastening it with two wood screws **Q** into pre-drilled holes.

Attach bottom rail shoe **G** to the left bottom left edge of the drop side by fastening it with wood screw **Q** and wood screw **P**. Use wood screw **P** for the mid-section



- 7** Attach top rail shoe **E** to the top right edge of the drop side by fastening it with two wood screws **Q**.

Attach bottom rail shoe **F** to the bottom right edge of the drop side by fastening it with wood screw **Q** and wood screw **P**. Use wood screw **P** for the mid-section



- 8** Line up the drop side with the installed rail shoes with the bracket rails as shown with in Figure 8A and Figure 8B. Make sure **F** lines up with bracket **D** and **G** lines up with bracket **C**.

Pull the release tab outwards on both bottom rails shoes **F** and **G** before you slide the drop side upwards as shown in Figure 8B. Pull the drop side up until it locks.

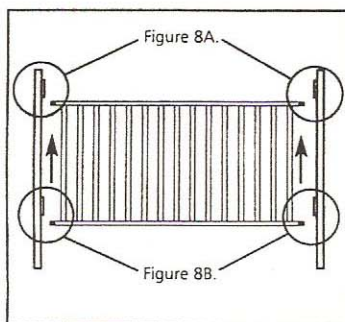


Figure 8A.

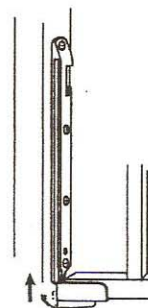
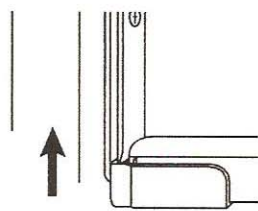
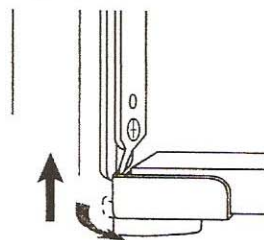


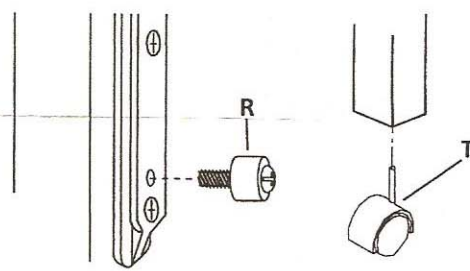
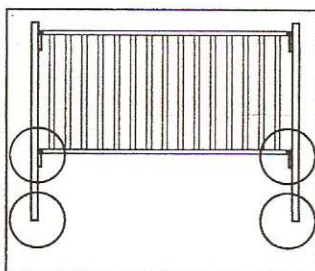
Figure 8B.



MAKE SURE RELEASE TAB IS PULLING TOWARDS YOU WHEN YOU INSTALL THE DROP SIDE.

- 9** Install rail stops **R** into the both bottom bracket rails **B** and **C**. Do not over-tighten.

Insert casters **T** into sockets on the bottom of the corner posts and press firmly until casters snap into place. Be sure casters turn freely.



- 10** To lower the drop side: Lift up the drop side up and push in the bottom edge to unlock. Then gently push the drop side down and it will release.

Before placing your mattress in the crib, you can make your own mattress protector by cutting the cardboard packing insert into a 27"x51" board and placing it on the spring frame under the mattress. This will extend the life of your mattress and provide additional support.

Before using your crib, please read all cautionary statements on the back of this instruction sheet. Thank you for purchasing a Million Dollar Baby product.

KEEP THIS MANUAL INSIDE THE PLASTIC BAG (V) AND TIE IT PERMANENTLY TO THE MATTRESS SUPPORT FOR FUTURE REFERENCE.

Please refer to the label (figure below) on the inside face of the headboard. Record the model/item number and serial number of your crib, name of store where you made the purchase, date of purchase and wood finish in the box to the right.

WE WILL ASK YOU FOR YOUR SERIAL NUMBER FOR ALL WARRANTY AND REPLACEMENT PART REQUESTS. PLEASE REFER TO THE BOTTOM OF THIS INSTRUCTION SHEET FOR WARRANTY INFORMATION. KEEP THIS MANUAL IN A SAFE PLACE FOR FUTURE REFERENCE.



SAMPLE LABEL

Item/Model Number: _____

Serial Number: _____

Store Purchased From: _____

Date of Purchase: _____

Wood Finish: _____

⚠ WARNING: Failure to follow these warnings and assembly instructions could result in serious injury or death.

READ ALL INSTRUCTIONS BEFORE ASSEMBLING CRIB. KEEP THE MANUAL FOR FUTURE USE.

- **WARNING:** Strings can cause strangulation! Do not place items with a string around a child's neck, such as hood strings or pacifier cords. Do not suspend strings over a crib or attach strings to toys.
- **DO NOT** place a crib near a window where cords from blinds or drapes may strangle a child.
- Keep wall decorations, especially those with strings, completely out of a child's reach.
- Before each usage or assembly, inspect crib for damaged hardware, loose joints, missing parts or sharp edges. **DO NOT** use the crib if any parts are missing or broken. Ask your dealer or contact manufacturer for replacement parts and instructional literature if needed. **DO NOT** substitute parts.
- Check fasteners periodically for tightness. Do not over-tighten. This may cause distortion or breakage.
- After raising the moving drop side, make sure it is locked in place.
- When a child is able to climb out, reaches the height of 35 in. (90 cm) or when the height of the side rail is less than 3/4 of the child's height, the crib shall no longer be used.
- If refinishing, use a non-toxic finish specified for children's products.
- **DO NOT** leave a child in a crib with the side lowered. Be sure the moving drop side is in the raised and locked position whenever a child is in the crib.
- When a child is able to pull to a standing position, set the mattress to the lowest position and remove bumper pads, large toys and other objects that could serve as steps for climbing out.

ONE YEAR LIMITED WARRANTY ON ALL CRIBS

We will replace any missing parts at time of purchase or defective parts within one year of the original purchase date. This warranty does not cover any damaged or defective parts due to installation and assembly, abuse, negligence, improper use or alteration to the finish, design, and hardware. This warranty only covers new units with original packaging. Ownership is non-transferable. The specific legal rights of this warranty may vary from state to state. Some states do not allow any exclusion or limitation of incidental or consequential damages. Some states do not allow limitation on how long an implied warranty lasts.

- Never use plastic shipping bags or other plastic films as mattress covers because they can cause suffocation.
- Do not tie pacifiers, necklaces, or any other items around a child's neck or on crib parts. This could cause strangulation.
- **DO NOT** use a water mattress with this crib.
- Replace teething rail(s) if damaged or loose.
- **CAUTION:** Any mattress used in this crib must be at least 27 1/4 in by 51 5/8 in (69 cm x 131 cm) with a thickness not exceeding 6 in (15 cm).
- Use a crib as a crib, not as a play pen. Remember that a crib is not a substitute for a parent's supervision.
- Parents should ensure a safe environment for their child by checking the crib regularly before placing the child in the product. Please make sure that every component is properly and securely in place.
- When re-assembling the crib for your second child, please keep in mind that the screw holes will need to be filled in order for the screws to grip to the wood. Talk to your local hardware store or lumber yard about how to do this properly.

Care and cleaning:

Do not scratch or chip the finish. Do not use abrasive chemicals for cleaning. Clean with mild soap on a soft rag. Rinse and dry thoroughly, and wax occasionally. If you ever refinish this furniture, be sure to use only a non-toxic finish specified for children's products.

IF YOU WOULD LIKE TO ORDER REPLACEMENT OR MISSING PARTS PLEASE VISIT US AT:

WWW.MILLIONDOLLARBABY.COM

OR YOU CAN CONTACT US BY MAIL

MILLION DOLLAR BABY
855 WASHINGTON BLVD.
MONTEBELLO, CA 90640

SAFETY-GLIDE 5 YEAR "PEACE OF MIND" WARRANTY

Our Safety-Glide hardware system is so durable that we will replace it at no cost to you if it ever malfunctions **due to normal wear and tear** within 5 years of purchase. Just send the defective piece(s) (freight pre-paid by consumer) back to us and we will send out the replacement pieces (freight pre-paid by consumer).

Please keep your receipt so that we may process any parts request.